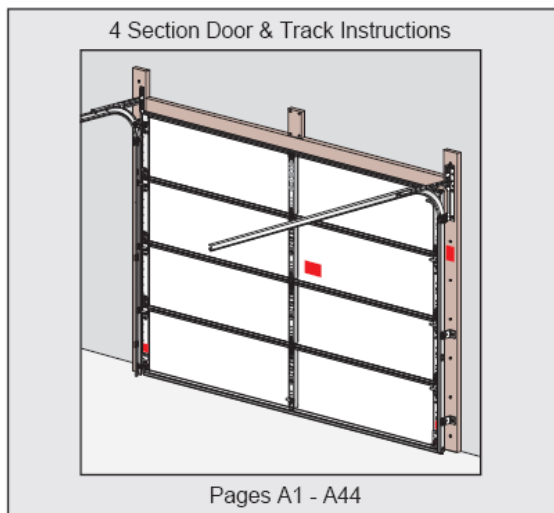
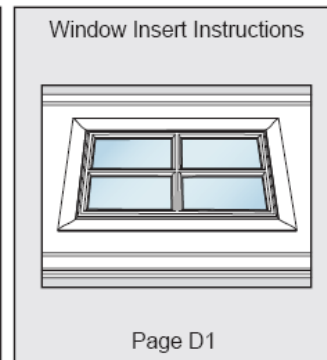
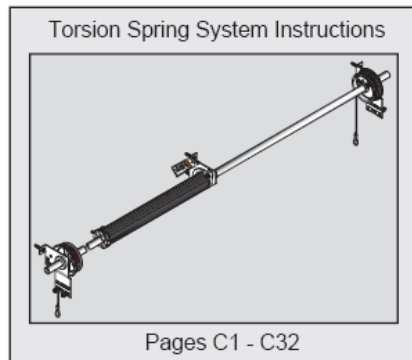
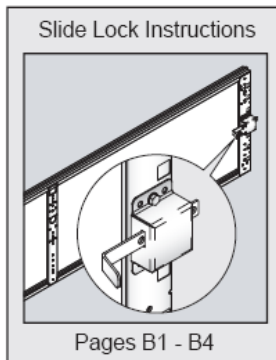


European Four (4) Section Door - Instruction Set EN 13241-1



CE



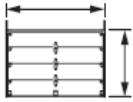


WARNING!

DOOR WILL BE UNDER CONSTANT SPRING TENSION. ADJUSTMENTS AND REPAIRS SHOULD BE PERFORMED BY A QUALIFIED DOOR SERVICE COMPANY.

FAILURE TO COMPLY WITH THESE INSTRUCTIONS INVALIDATES THE WARRANTY. BEFORE YOU BEGIN THE INSTALLATION, READ ALL OF THE INSTRUCTIONS

WE RECOMMEND THAT INSTALLATION AND/OR REPAIR OF GARAGE DOORS BE PERFORMED BY A QUALIFIED GARAGE DOOR INSTALLER.



We recommend that a team of two individuals perform the installation.

The garage door opening **MUST** be the same size as the door. The opening must be framed with 2" x 6" min. wood jambs. The jambs must be plumb and the header level for a square opening. The jambs should extend to the same height as the headroom required. All jamb fasteners should be flush with jambs and securely anchored to the wall.



Both one and two-car doors are installed in the same manner. Door widths up to 14' do not require struts unless required for windload or electric opener reinforcing.

Number of door sections and number of panels may vary from illustrations.

Be sure all warning labels and tags are properly affixed to door and that the Homeowner Information Bag is posted on the door jamb and the warranty information is filled out.



Notice to Architects and Designers

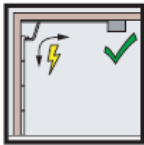
Architects and designers should consider when designing a building the forces a garage door system transmits to the building structure openings, such as the jambs, anchor pads, headers, and horizontal track. Since these forces vary, load information may be obtained by contacting your distributor (see contact information on cover).



THESE ARE MINIMUM REQUIREMENTS FOR REINFORCEMENT. YOUR DOOR MAY REQUIRE ADDITIONAL REINFORCEMENT TO MEET SPECIFIC WIND LOAD REQUIREMENTS. IT IS RECOMMENDED THAT YOU CONTACT YOUR LOCAL BUILDING OFFICIAL FOR SPECIFIC WIND LOAD REQUIREMENTS IN YOUR AREA.

IMPORTANT NOTICE:

Damage to the garage door due to an improperly installed or adjusted electric opener is not covered by your warranty.

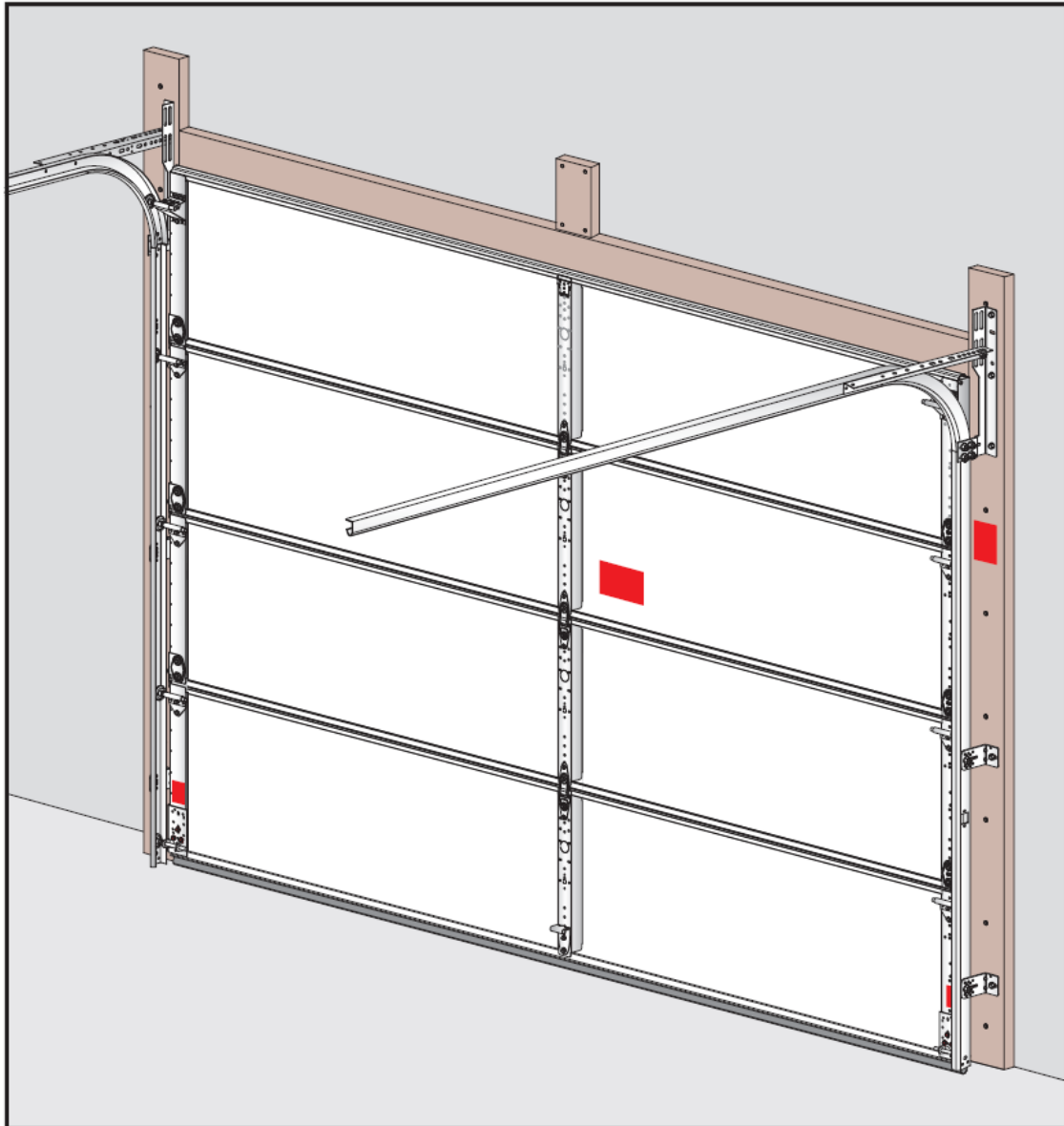


Electric Door Attachment:

In the event that an electric opener is installed, the top section must be reinforced, as shown in these instructions, with either a strut or with a single piece of 14-gauge angle iron spanning the entire length of the top section. When installing a garage door opener, the following applies:

1. The door springs must be in good working order and the door must be balanced (should be able to raise the door ½ way and have the door stay open).
 2. The top section of the door **MUST** be reinforced in order to provide a connection point for the opener lifting arm, as illustrated in these instructions.
 3. Disconnect and/or remove all locks and pull ropes. Attempting to use the opener while the door is locked will damage your garage door.
-

European Door Section & Track Installation Instructions



To disassemble the Door System, reverse all instructions
(in reverse order), starting on Page D1.

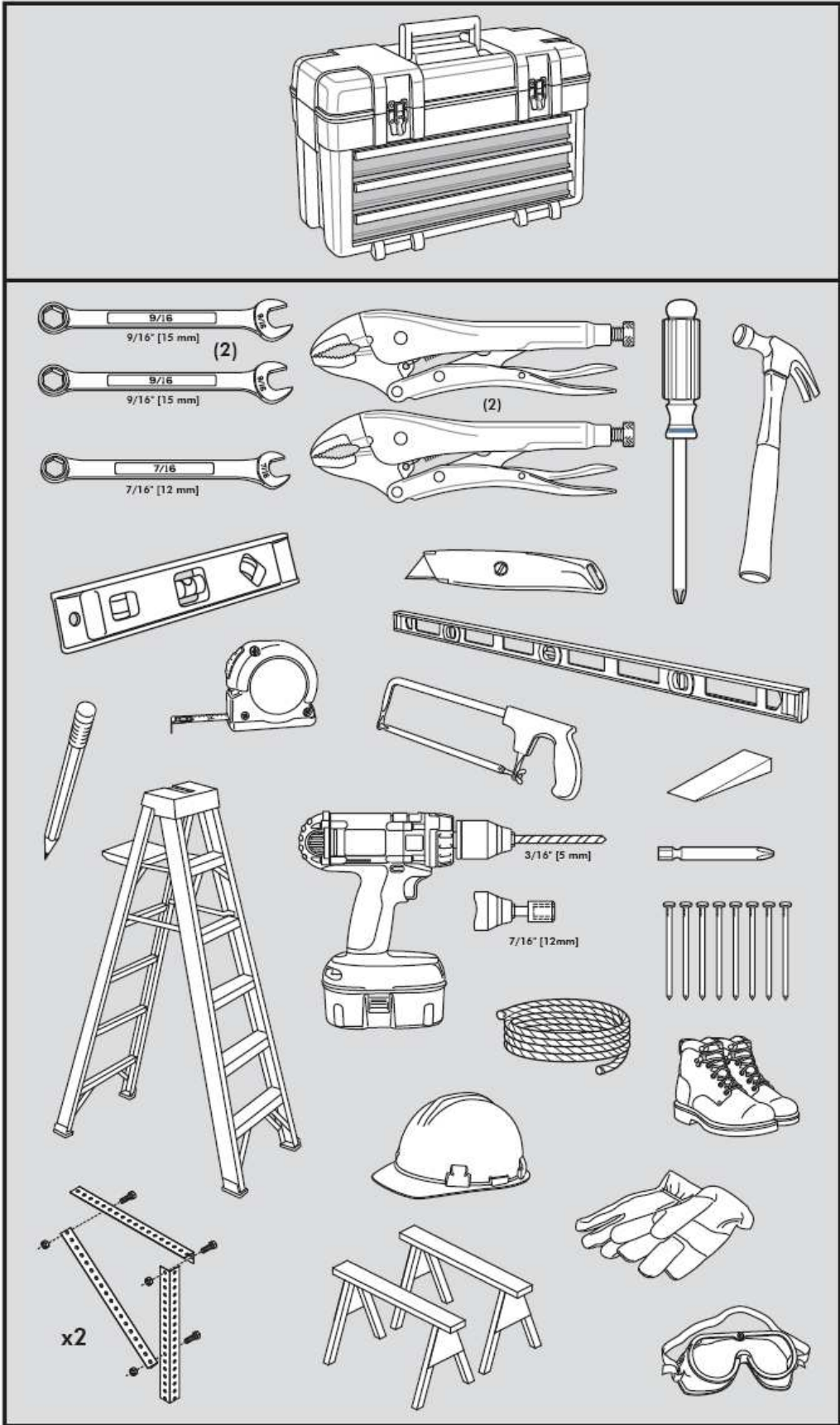
ICON GUIDE

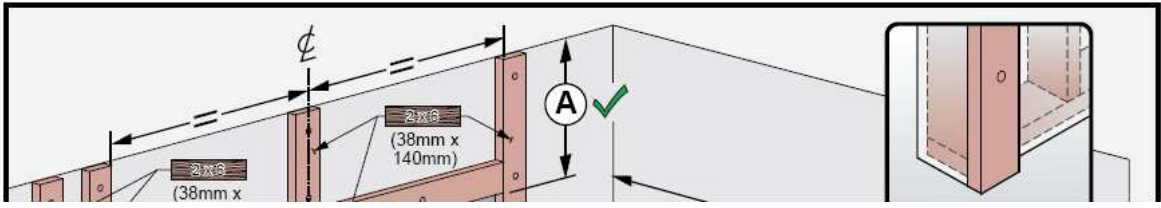
ICON	INDICATES:
	STEP; ORDER OF INSTRUCTION (APPLIES TO ALL) EXAMPLE: STEP 3
	STEP; ORDER OF INSTRUCTION, APPLIES TO VERTICAL TRACK CONFIGURATION A EXAMPLE: STEP A3
	STEP; ORDER OF INSTRUCTION, APPLIES TO VERTICAL TRACK CONFIGURATION B EXAMPLE: STEP B3
	STEP; ORDER OF INSTRUCTION, APPLIES TO VERTICAL TRACK CONFIGURATION C EXAMPLE: STEP C3
	ORIENTATION OF THE VIEW BELOW EXAMPLE: VIEW OF THE RIGHT SIDE OF THE ASSEMBLY
	MIRROR IMAGE OF VIEW BELOW EXAMPLE: MIRROR IMAGE OF VIEW IS LEFT SIDE OF ASSEMBLY
	OPENING ITEM NUMBER EXAMPLE: OPENING ITEM NUMBER 2
	DOOR ITEM NUMBER EXAMPLE: DOOR ITEM NUMBER 5
	TRACK ITEM NUMBER EXAMPLE: TRACK ITEM NUMBER 5
	WHITE SECTION INDICATES SECTION BEING REFERRED TO (4 SECTION) EXAMPLE: SECTION 1 (BOTTOM SECTION)
	THIS STEP APPLIES TO DOORS WITH GARAGE DOOR OPENER INSTALLED
	THIS STEP APPLIES TO DOORS WITH GARAGE DOOR OPENER NOT INSTALLED
	BACKROOM - DISTANCE BETWEEN THE OPENING AND THE REAR OF GARAGE OR NEAREST OBSTRUCTION. MINIMUM DISTANCE = DOOR HEIGHT + 18" (457mm)
	THIS STEP APPLIES TO DOORS WITH DOOR WIDTH GREATER THAN (DIMENSION)
	DOOR HEIGHT

ICON	INDICATES:
	BRICK WALL
	CINDER BLOCK WALL
	CONCRETE WALL
	WOOD STUD WALL WITH WOOD JAMB
	APPLIES TO STANDARD HORIZONTAL TRACK
	APPLIES TO LOW HEADROOM HORIZONTAL TRACK
	APPLIES TO THIS ITEM, CHECK STEP or PASSES TEST
	PHILLIPS HEAD SCREW BIT
	WRENCH SIZE EX: 7/16" WRENCH
	SOCKET WRENCH SIZE EX: 7/16" SOCKET WRENCH
	INQUIRE IF STRUT IS REQUIRED USING STRUT SCHEDULE - PAGE A9
	STRUT IS REQUIRED; CONFIGURATION WITH STRUT
	STRUT IS NOT REQUIRED; CONFIGURATION WITHOUT STRUT
	THIS STEP APPLIES TO SINGLE AND DOUBLE LAYER SECTIONS
	THIS STEP APPLIES TO TRIPLE LAYER SECTIONS

ICON	INDICATES:	WORKS WITH:
	VERTICAL TRACK CONFIGURATION A	
	VERTICAL TRACK CONFIGURATION B	
	VERTICAL TRACK CONFIGURATION C	

ICON	INDICATES:
	DANGER, WARNING, CAUTION
	NOTE





ERROR: ioerror
OFFENDING COMMAND: image

STACK: